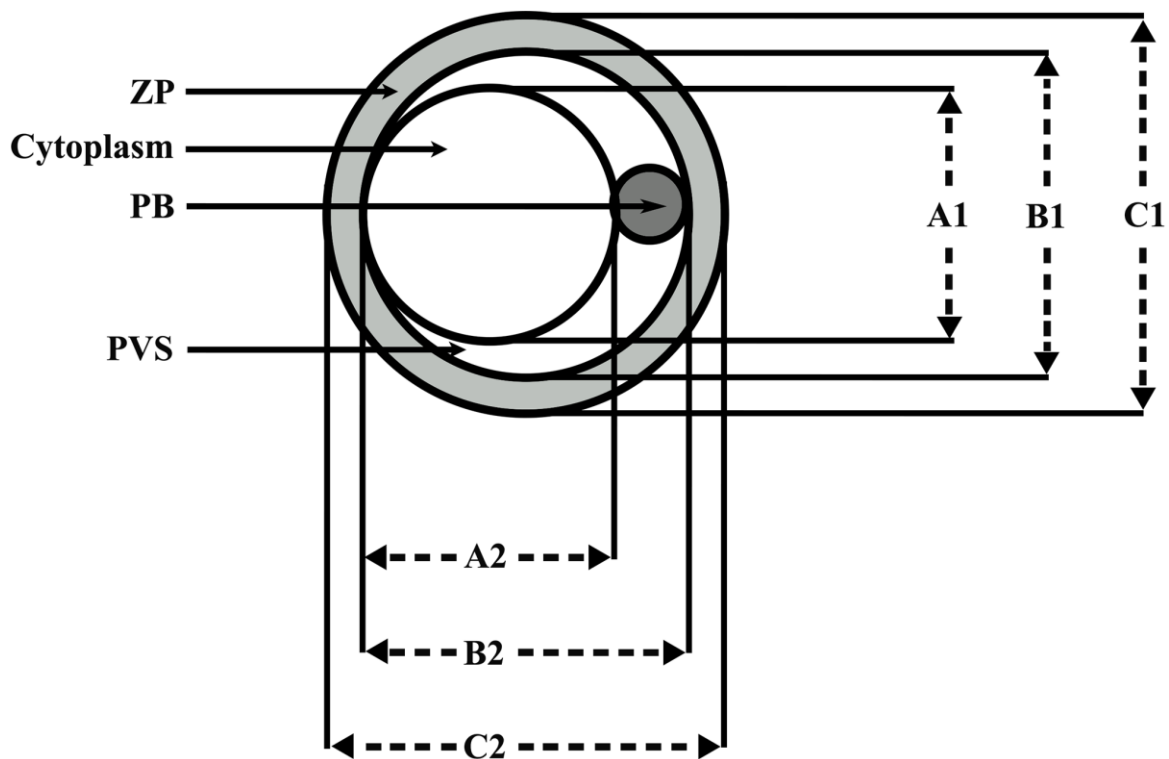


SUPPLEMENTARY FIGURE



Supplementary Figure 1. Calculation method for the size of each part of the oocyte. Diameter of cytoplasm (A) = $(A1 + A2)/2$. Inner diameter of zona pellucida (B) = $(B1 + B2)/2$. Outer diameter of zona pellucida (C) = $(C1 + C2)/2$. Thickness of zona pellucida = $(C - B)/2$. Size of perivitelline space = $(B - A)/2$. Abbreviations: ZP: Zona pellucida; PVS: perivitelline space; PB: first polar body.